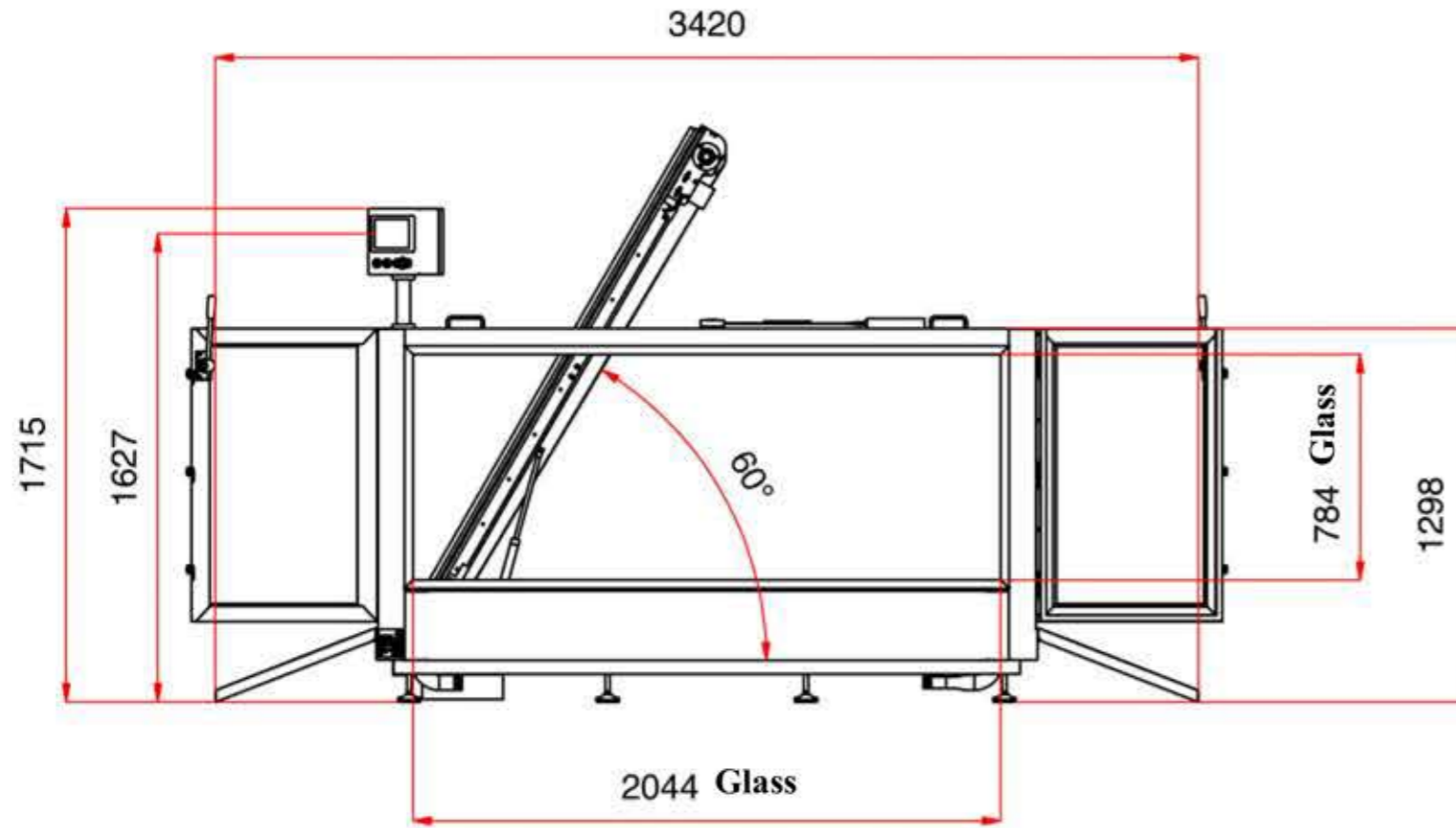


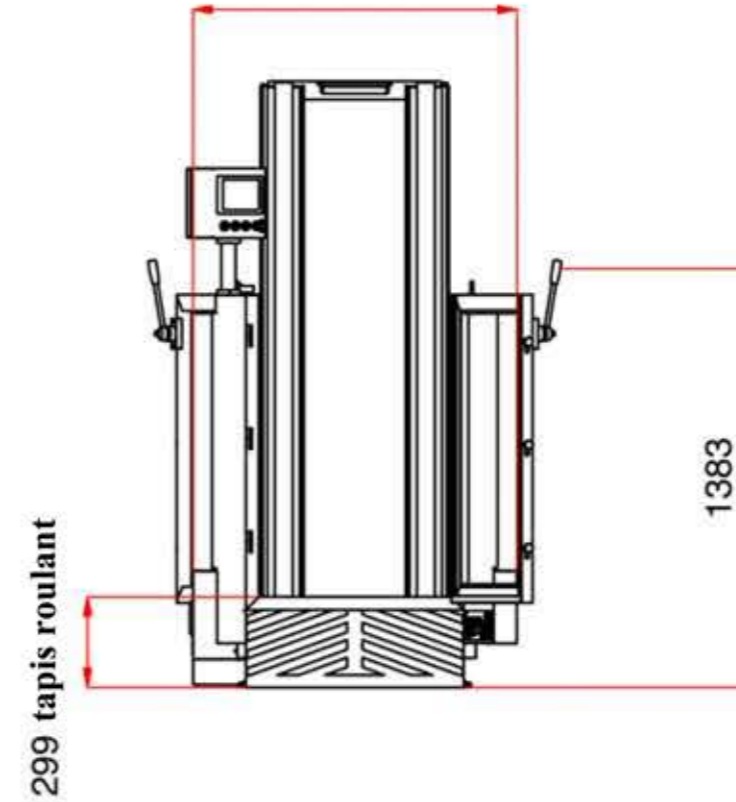


TAB. N° 00/A
Tav. n° 00/A

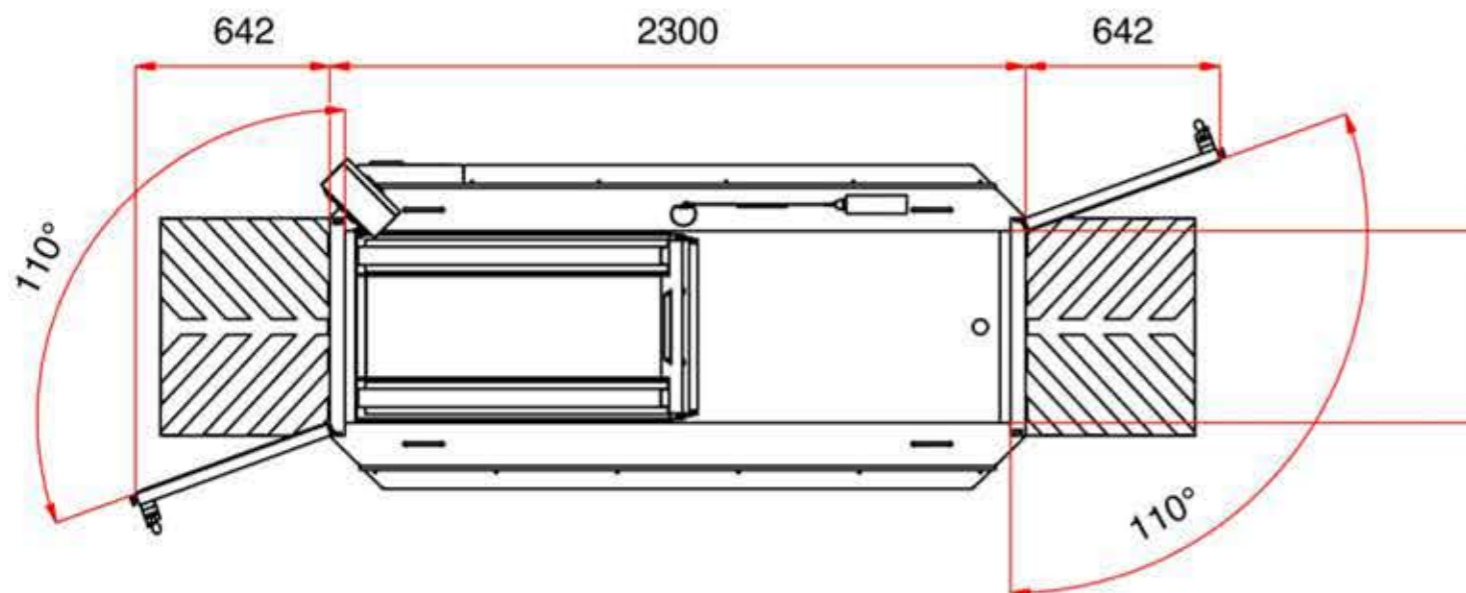
Swimming pool layout -Loads measure-



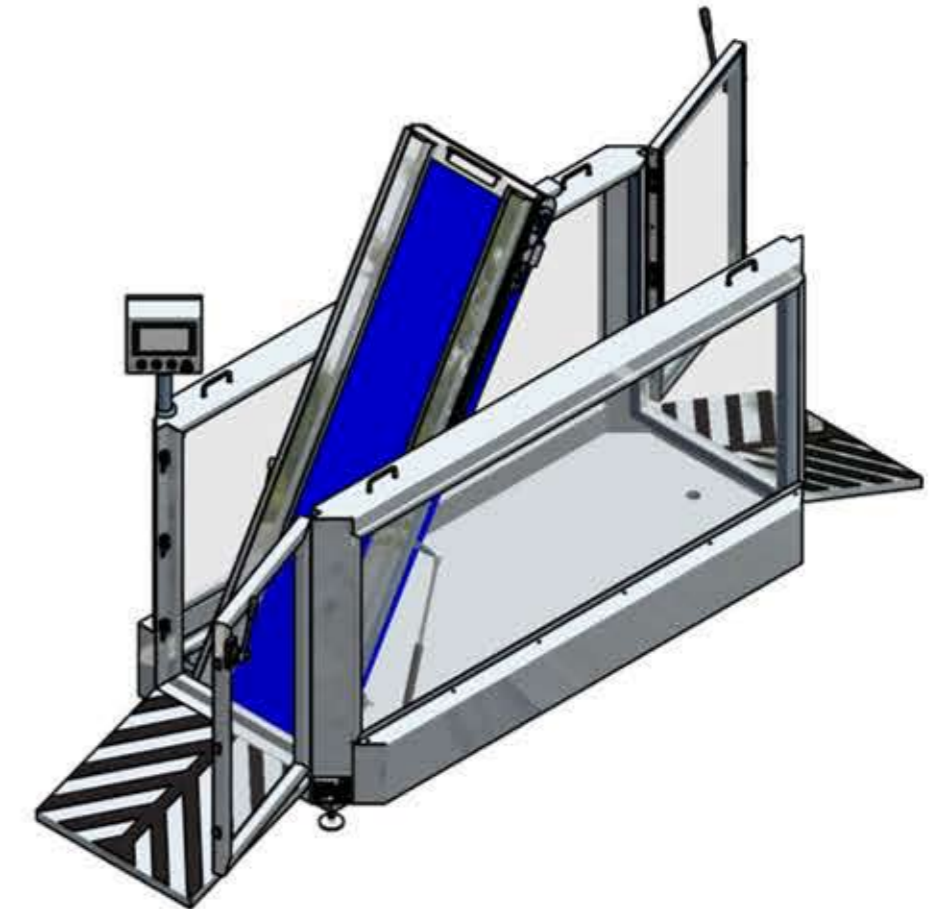
1070 wide with closed doors



Max. ability:	2000 Liters
Empty weight:	600 kg.
Max. speed:	8 Km. /h
Min. power:	5 Kv.
Voltage:	400 V + N + T



634 entrance space



Scale 1:25

exposed heights in millimeters